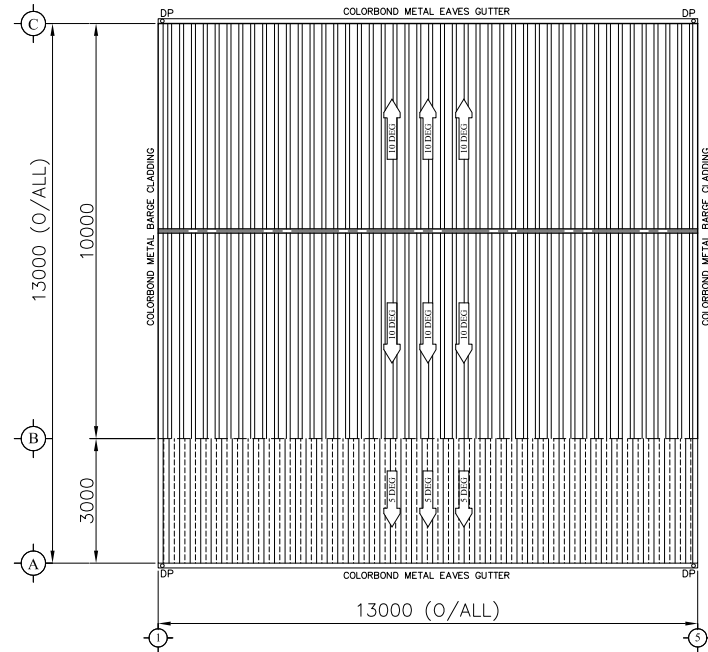


FLOOR PLAN



ROOF SHEETING PLAN

APPROVED BY CUSTOMER:				
SIGNATURE :				
DATE :	NO.	DATE	BY	DESCRIPTION
	REVISIONS			

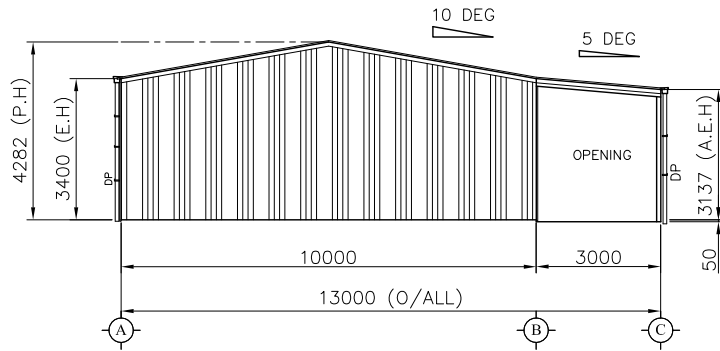


Unit 1/55 Erecg Road
 Yangebup WA 6164
 Ph: 1300 778 628
 Fx: 086555 8043
 E: sale@actionsheds.com.au
 W: www.actionsheds.com.au

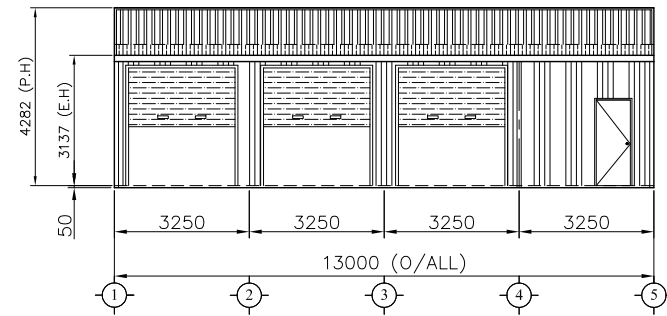
PROJECT:
Leanne Swift

SITE ADDRESS:
 Lot 4 Railway Parade Heme Hill, WA 6056

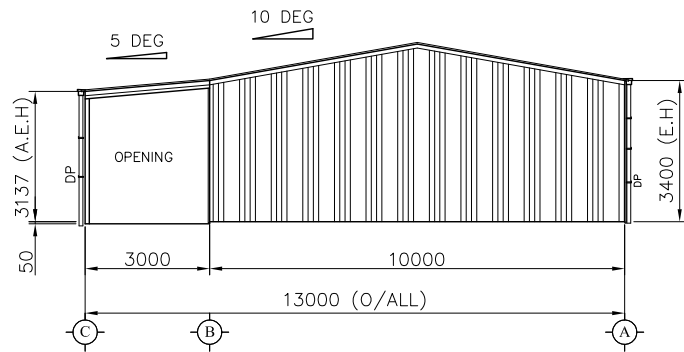
TITLE: FLOOR & ROOF PLAN FOR A SHED 10.0M x 13.0M x 3.4M & AWNING			
RBPC CERTIFICATION:		DRAWING NO.	REV.
DESIGNED: LK	SCALE: NTS	01	A
DRAWN: THAM	JOB NO: MTAW		
CHECKED: MT	DATE: 22 AUG 23		



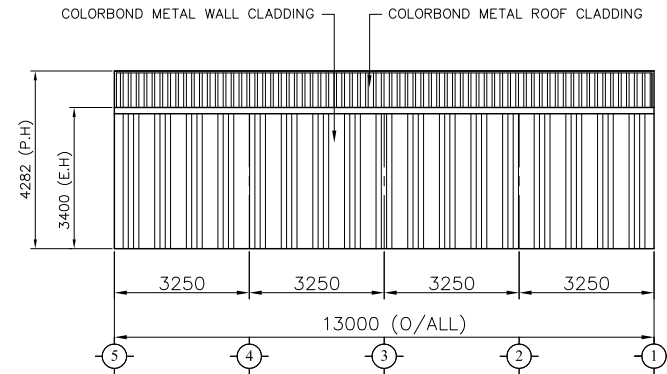
LEFT ELEVATION



FRONT ELEVATION



RIGHT ELEVATION



BACK ELEVATION

APPROVED BY CUSTOMER:				
SIGNATURE :				
DATE :	NO.	DATE	BY	DESCRIPTION
	REVISIONS			



Unit 1/55 Erecg Road
Yangebup WA 6164
Ph: 1300 778 628
Fx: 086555 8043
E: sale@actionsheds.com.au
W: www.actionsheds.com.au

PROJECT:
Leanne Swift

SITE ADDRESS:
Lot 4 Railway Parade Heme Hill, WA 6056

TITLE: ELEVATION		DRAWING NO.		REV.
FOR A SHED 10.0M x 13.0M x 3.4M & AWNING		02		A
RBP CERTIFICATION:				
DESIGNED: LK	SCALE: NTS			
DRAWN: THAM	JOB NO: MTAW			
CHECKED: MT	DATE: 22 AUG 23			