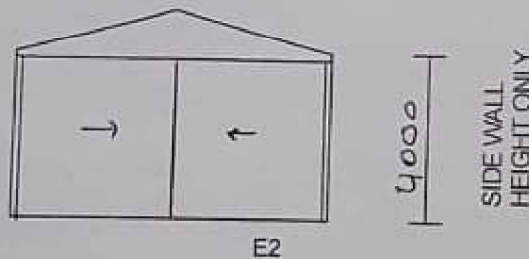
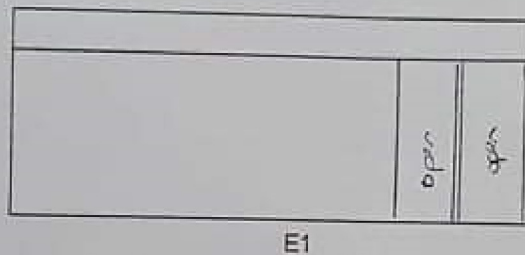
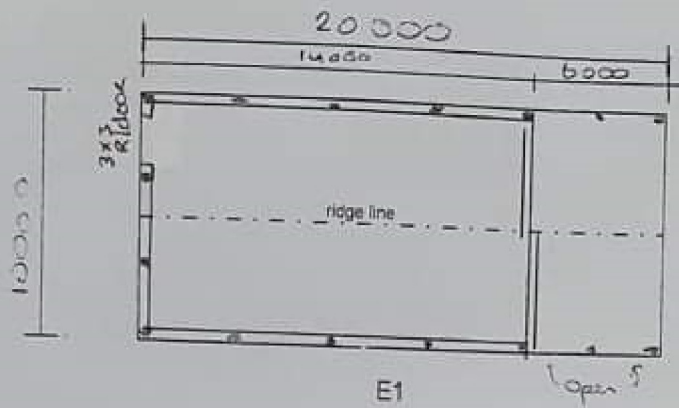


18 Keates road Arncliffe WA 6112 ph 9497 8832 | info@coastlinesheds.com.au

DRAWINGS IN CONJUNCTION WITH QUOTE FOR: Dairy



Notes
pa doors or windows can be placed anywhere on the day of installation.
Wall sheeting is a vertical orientation uno Bolt Down Sheet, fixings into concrete are NOT supplied by Coastline
Standard finished apply, customer to advise if special coating is required.

Legend:

- = column
- = enclosed wall
- = sliding door
- ↑ = roller door

customer's signature

Truss Design		subject to final engineering	
Schedule	Material	Schedule	Material
Truss Chords	50 x 50 x 5 Angle	Sheeting Roof	0.42 BMT / 0.47 TCT standard steel sheets u.n.o
Columns - side wall	75 x 75 x 2.5 SHS	Sheeting Walls	0.42 BMT / 0.47 TCT standard steel sheets u.n.o
Columns - gable wall	75 x 75 x 2.5 SHS	Roof Pitch	degree
Wall Purlins	90x40x1.0 Unispan	Wind Region	Region A, terrain cat 2, VR = 45m/s or Region B, terrain cat 2, VR = 57m/s
Roof Purlins (if different)	C100.15	DESIGN CRITERIA 1. DEAD AND LIVE LOADS IN ACCORDANCE WITH AS1170.1 2. WIND LOADS IN ACCORDANCE WITH AS1170.2-2011 WIND REGION A - TERRAIN CATEGORY 2 (Mz = 0.91 d, Ms = 1.0 e, Mt = 1.0f) 3. SITE SOIL CLASSIFICATION A, S, OR M, IN ACCORDANCE WITH AS2870 4. MIN. COMPACTION FOR SAND FILLED FOUNDATIONS TO BE 5 BLOWS PER 300mm (WHEN TESTED USING THE STANDARD PERTH SAND PENETROMETER) FOR THE FULL DEPTH OF THE FILL OR FOR 750mm MIN.	
Wind Bracing (wall)	50x3 FL		
Wind Bracing (roof)	50x1.2 Strap as per engineering		