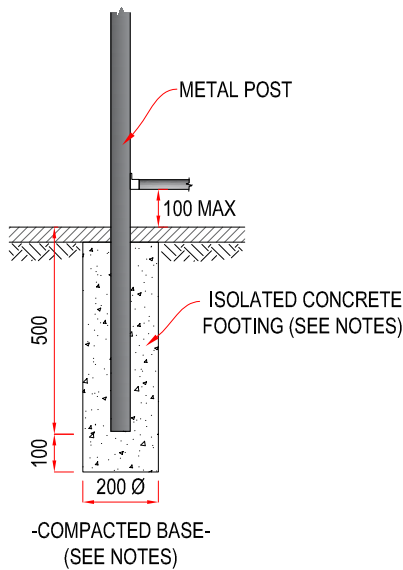


1 ELEVATION
S-1 SCALE 1:50

| | |
|--|------------|
| DEPARTMENT OF PLANNING, LANDS AND HERITAGE | |
| DATE | FILE |
| 14-Dec-2021 | 21-50735-1 |



2 FOOTING DETAIL
S-1 SCALE 1:20

GENERAL NOTES:

1. READ THIS DRAWING IN CONJUNCTION WITH APPROVED FENCING PLAN AND OTHER RELEVANT DRAWINGS AND SPECIFICATIONS.
2. DO NOT SCALE FROM DRAWINGS. LEVELS AND DIMENSIONS MUST BE VERIFIED ON SITE PRIOR TO COMMENCEMENT OF WORKS.
3. AUTHORIZED REQUIREMENTS OF LOCAL AUTHORITIES AND OTHER STATUTORY AUTHORITIES TO BE COMPLIED WITH.
4. BUILDER MUST ENSURE THAT ALL WORKS ARE CARRIED OUT IN ACCORDANCE WITH THE LATEST VERSION OF RELEVANT AUSTRALIAN STANDARDS AND LEGISLATION, INCLUDING BUT NOT LIMITED TO AS 1926.1 AND AS/NZS 1170.1.
5. CONCRETE
 - TO BE IN ACCORDANCE WITH AS 3600
 - TO BE KEPT MOIST AND CURED FOR A MINIMUM OF 7 DAYS
 - MIN COMPRESSIVE CYLINDER STRENGTH AT 28 DAYS $f_c' = 25$ MPa
 - MAXIMUM AGGREGATE SIZE = 20 mm
6. BASE
 - MIN 600MM DEPTH TO BE COMPACTED TO MIN. 7 BLOWS/300mm ON A STANDARD FALLING WEIGHT PENETROMETER.
7. FOR SITES OTHER THAN SAND:
 - SPECIAL PRECAUTIONS HAVE TO BE TAKEN. REFER TO A STRUCTURAL ENGINEER FOR DETAILED INSTRUCTIONS.
8. IF SITE CONDITIONS ARE SIGNIFICANTLY DIFFERENT FROM THOSE SHOWN, CONSULT THE ENGINEER.



AQUATIC LEISURE TECHNOLOGIES PTY LTD
 28 Orion Road, Jandakot WA 6164
 t: +61 8 9258 5000 f: +61 8 9258 5500 e: info@aqualeisure.com.au
 ACN 008 905 888 ABN 23 008 905 888 www.aqualeisure.com.au
COPYRIGHT RESERVED - This drawing and all the information thereon remains the property of Aquatic Leisure Technologies Pty Ltd and must not be reproduced, copied or communicated to any other party without our permission.

ALL MEASUREMENTS ARE IN MM UNLESS OTHERWISE STATED

ALT DRAWING DETAILS AND SUMMARY

| | | | |
|-----------------------|----------------------------|--------------------|-----------|
| Drawing Title: | POOL FENCE DETAILS - METAL | | |
| Address: | WA | Date: | 21-11-19 |
| Drawing No: | PF-001 | Scale: | AS STATED |
| Drawn By: | IP | Sheet No: | S-1 |
| Revision: | 4 - DETAILS UPDATED | Sheet Size: | A4 |