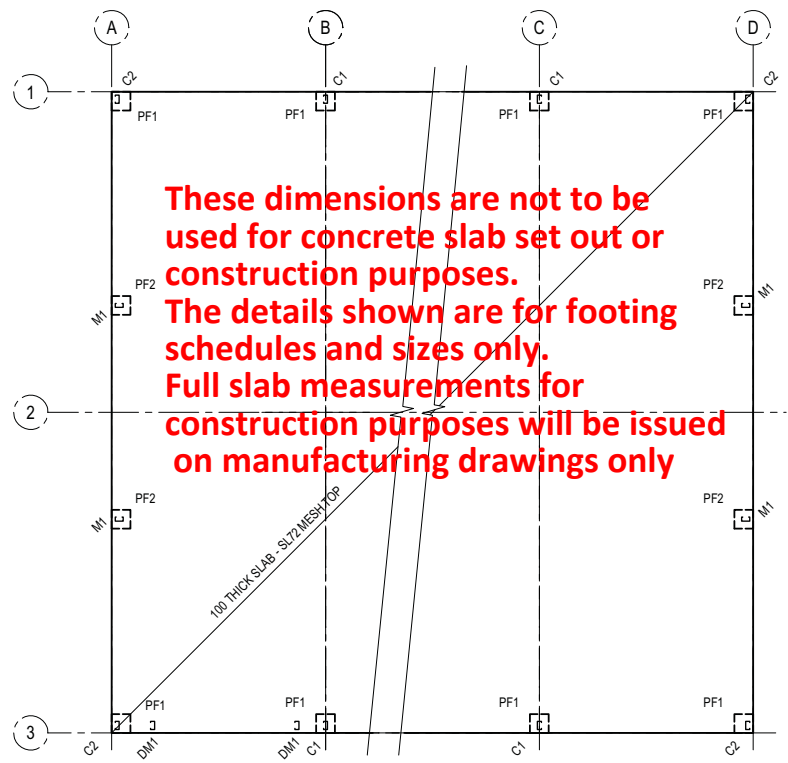


REGION A 12.0m PREMIER GABLE GARAGE - FULLY ENCLOSED

DEPARTMENT OF PLANNING, LANDS AND HERITAGE

DATE 30-Aug-2021 FILE 21-50661-1



FOOTING & SLAB PLAN
1:100
PROVIDE SAWN JOINTS IN SLAB AT 4000 MAX CTRS.
PROVIDE CONTROL JOINTS IN SLAB AT 16000 MAX CTRS.
REFER TO TYPICAL DETAILS.

CHEMSET PINNED BASE DESIGN

GENERAL
THIS DRAWING SHALL BE READ IN CONJUNCTION WITH ALL OTHER CONSULTANTS DRAWINGS & SPECIFICATIONS
ALL DIMENSIONS ARE IN MILLIMETRES. DO NOT SCALE THESE DRAWINGS.
THE DIMENSIONS MAY VARY FROM THESE STANDARD DRAWINGS. IT IS THE BUILDERS RESPONSIBILITY TO VERIFY ALL DIMENSIONS.
THE STRUCTURE SHALL BE MAINTAINED IN A STABLE CONDITION DURING ERECTION, WITH NO PARTS BEING OVERSTRESSED.

CERTIFICATION
THIS DRAWING IS ONLY VALID IF ISSUED WITH NO MANUAL AMENDMENTS OR ALTERATIONS, AND BEARS AN ORIGINAL CERTIFYING SIGNATURE.

DESIGN
THIS STRUCTURE HAS BEEN DESIGNED IN ACCORDANCE WITH THE FOLLOWING STANDARDS:
AS/NZS1170.1 - Dead & Live Loads
AS/NZS1170.2 - Wind Loads (Regions A1-A7, Terrain Category 2 & 3)
AS/NZS4600 - Cold-formed Steel Structures
AS1397 - Steel Sheet & Strip
ROOF PITCH RANGE 7.5 - 15.0 DEGREES.

STRUCTURAL STEEL
ALL STRUCTURAL STEEL FRAMING SHALL BE MANUFACTURED FROM BHP HI-TENSILE STEEL (G450) CONFORMING TO AS1397, UNLESS NOTED OTHERWISE (UNO).
ALL BOLTS SHALL BE M16 8.8/S, & TEKS SCREWS SHALL BE No 12-14x20, UNO.
8.8/S BOLTS SHALL BE SNUG TIGHTENED UNO.
PURLINS & GIRTS TO BE LAPPED AT R1 RAFTERS & C1 COLUMNS AS PER MANUFACTURER'S SPECIFICATIONS.
ALL SHEETING SHALL BE FIXED AS PER MANUFACTURER'S SPECIFICATIONS.

FOUNDATION MATERIAL
NO GEOTECHNICAL INVESTIGATION HAS BEEN CARRIED OUT, UNO.
THE SITE IS ASSUMED TO HAVE A MINIMUM SAFE BEARING CAPACITY OF 100 kPa.
ONLY DENSE SAND & CLAY SOIL FOUNDATION TYPES ARE COVERED BY THESE DRAWINGS. IF DIFFERENT SITE CONDITIONS ARE ENCOUNTERED THEN THE DESIGN MAY REQUIRE MODIFICATION.
THE EXCAVATED SUB GRADE SHALL BE COMPACTED BY A MIN. OF 6 PASSES WITH A VIBRATING ROLLER (10 t MIN.). THE SUB GRADE SHALL BE COMPACTED TO A MIN. OF 100% STANDARD DRY DENSITY RATIO WITHIN 2% OF THE OPTIMUM MOISTURE CONTENT IN ACCORDANCE WITH AS1289.

FOOTINGS & SLABS
ALL FOOTINGS SHALL BE FOUNDED IN NATURAL MATERIAL WITH ALL TOPSOIL REMOVED (150 MIN.). NO FOOTINGS SHALL BE FOUNDED ON FILL MATERIAL.
FLOOR SLABS SHALL BE POURED ON A 50 CLEAN SAND BED.
FLOOR SLABS SHALL BE 100 THICK WITH SL72 MESH TOP, UNO.
THE FLOOR SLAB HAVE BEEN DESIGN FOR A MAX. LIVE LOAD OF 3 kPa.

CONCRETE
ALL CONCRETE WORK SHALL BE IN ACCORDANCE WITH AS3600.
CONCRETE STRENGTH SHALL BE 20 MPa FOR FOOTINGS & 25 MPa FOR SLABS.
CONCRETE SHALL HAVE A MINIMUM SLUMP OF 80 & MAXIMUM AGGREGATE SIZE OF 20 (TYPE A CEMENT).
ALL SLABS SHALL BE CURED IN ACCORDANCE WITH GOOD PRACTICE.

DESIGN CRITERIA SUMMARY:
INTERNAL PRESSURE: Cpi = + 0.20, - 0.30
IMPORTANCE LEVEL: 2
ROOF PITCH: 7.5 TO 15.0 DEGREES

12.0m GARAGE - FOOTING SCHEDULE (Region A - Terrain Category 2 & 3)

| MARK | SECTION DESCRIPTION | SOIL TYPE | PINNED BASE | | FIXED BASE | |
|------|--|-----------|---------------|---------------|---------------|---------------|
| | | | Reg A, TC3 | Reg A, TC2 | Reg A, TC3 | Reg A, TC2 |
| PF1 | PAD FOOTING (B SQ x D) (NO SLAB) | SAND | 700 SQ. x 700 | 800 SQ. x 850 | 800 SQ. x 800 | 850 SQ. x 900 |
| | | CLAY | 450 SQ. x 500 | 550 SQ. x 600 | 550 SQ. x 650 | 600 SQ. x 700 |
| PF2 | PAD FOOTING (B SQ x D) (NO SLAB) | SAND | 550 SQ. x 550 | 600 SQ. x 650 | 550 SQ. x 550 | 600 SQ. x 650 |
| | | CLAY | 400 SQ. x 500 | 450 SQ. x 550 | 400 SQ. x 500 | 450 SQ. x 550 |
| BP1 | BORED PIER (Ø x D) (NO SLAB) | SAND | 450 Ø. x 1400 | 450 Ø. x 1800 | 450 Ø. x 1100 | 450 Ø. x 1600 |
| | | CLAY | 450 Ø. x 900 | 450 Ø. x 1000 | 450 Ø. x 800 | 450 Ø. x 1000 |
| BP2 | BORED PIER (Ø x D) (NO SLAB) | SAND | 450 Ø. x 900 | 450 Ø. x 1100 | 450 Ø. x 900 | 450 Ø. x 1100 |
| | | CLAY | 450 Ø. x 900 | 450 Ø. x 900 | 450 Ø. x 900 | 450 Ø. x 900 |
| SF1 | SLAB FOOTING (B SQ x D) (WITH A 100 SLAB) | SAND | 600 SQ. x 650 | 750 SQ. x 750 | 800 SQ. x 800 | 850 SQ. x 900 |
| | | CLAY | 450 SQ. x 500 | 550 SQ. x 600 | 550 SQ. x 650 | 600 SQ. x 700 |
| SF2 | SLAB FOOTING (B SQ x D) (WITH A 100 SLAB) | SAND | 500 SQ. x 550 | 600 SQ. x 600 | 500 SQ. x 550 | 600 SQ. x 600 |
| | | CLAY | 500 SQ. x 500 | 450 SQ. x 550 | 500 SQ. x 500 | 450 SQ. x 550 |
| SP1 | BORED PIER (Ø x D) (WITH A 100 SLAB) | SAND | 450 Ø. x 1100 | 450 Ø. x 1600 | 450 Ø. x 1400 | 450 Ø. x 1900 |
| | | CLAY | 450 Ø. x 900 | 450 Ø. x 1000 | 450 Ø. x 900 | 450 Ø. x 1100 |
| SP2 | BORED PIER (Ø x D) (WITH A 100 SLAB) | SAND | 450 Ø. x 900 | 450 Ø. x 900 | 450 Ø. x 900 | 450 Ø. x 900 |
| | | CLAY | 450 Ø. x 900 | 450 Ø. x 900 | 450 Ø. x 900 | 450 Ø. x 900 |

| | | |
|------|--|----------|
| D | ISSUED FOR APPROVAL | 17.05.11 |
| C | RIGID BASE AND KNEE BRACE OPTION ADDED | 31.07.09 |
| B | GENERALLY REVISED | 14.07.09 |
| A | ISSUED FOR CONSTRUCTION | 29.05.08 |
| REV. | AMENDMENT DESCRIPTION | DATE |

ECLIPSE CONSULTING ENGINEERS

ECLIPSE Consulting Engineers Pty Ltd
304/12 Century Circuit
Norwest Central
BAULKHAM HILLS NSW 2153

Phone : (02) 9894 8500
Fax : (02) 8850 0212
info@eclipse-consulting.com.au
www.eclipse-consulting.com.au

Stephen W Healey
BE(Hons) MIEAust CP(Eng)
RBP(IEC-2169) RPEQ(5546) ABP(CC4030P)



CLIENT:

FIELDERS Endurance STRUCTURES

PROJECT:
Old Young's Distillery
SITE ADDRESS:
10581C West Swan Road,
Henley Brook, WA

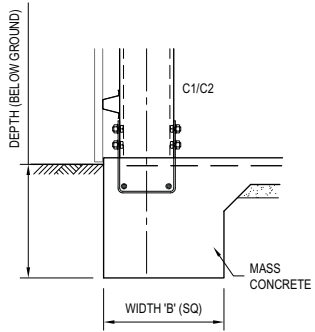
REF No. ASHLC47190

BUILDING TYPE:
12m SPAN PREMIER GABLE GARAGE
7.5° to 15° ROOF PITCH
3.0m, 3.5m, 4.0m Bays - FULLY ENCLOSED
Region A1-A7, TC2 & TC3, Imp 2

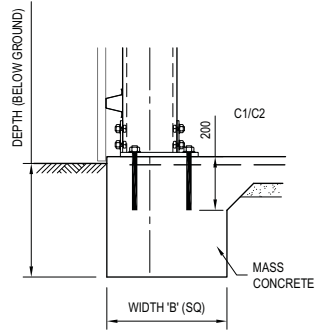
FOOTING & SLAB PLAN

DESIGN: SWH SHEET No: 1
DRAWN: N.M.D No. IN SET: 6
DATE: MAY 2011 SCALE: 1:100
DRG No. 4880 - S01 - D

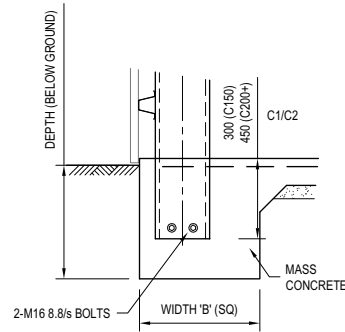
A3 ORIGINAL SIZE



ALTERNATIVE CAST-IN BRACKET DETAIL #1
1:20

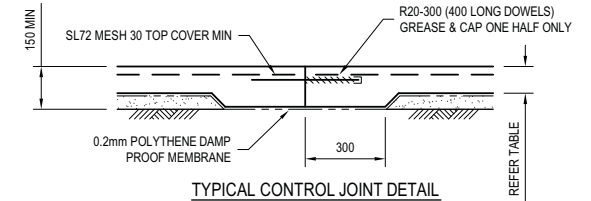


ALTERNATIVE RIGID BRACKET DETAIL #2
1:20



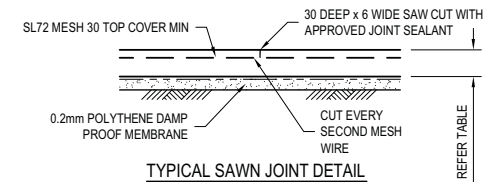
ALTERNATIVE COLUMN IN GROUND DETAIL #3
1:20

RIGID BASE ALTERNATIVES



TYPICAL CONTROL JOINT DETAIL

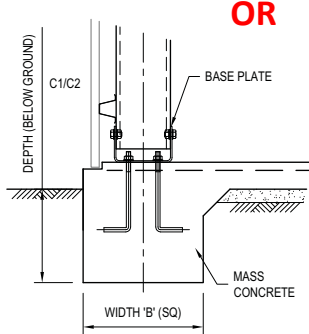
1:20
CONTROL JOINTS TO BE AT 16000 MAX CTRS



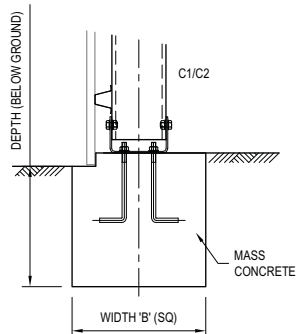
TYPICAL SAWN JOINT DETAIL

1:20
SAWN JOINTS TO BE AT 4000 MAX CTRS

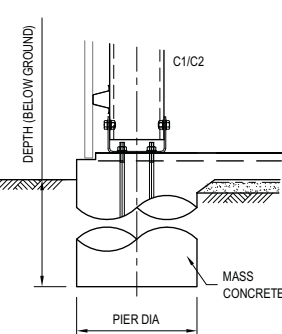
CHEMSET PINNED BASE DESIGN



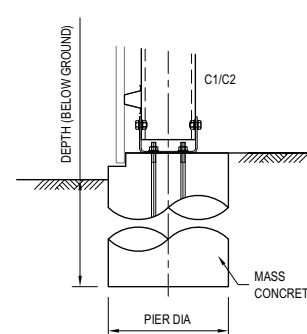
TYPICAL SLAB FOOTING DETAIL
1:20



TYPICAL PAD FOOTING DETAIL
1:20



TYPICAL BORED PIER DETAIL (WITH SLAB)
1:20



TYPICAL BORED PIER DETAIL (WITHOUT SLAB)
1:20

PIN BASE ALTERNATIVES

HD BOLT SHOWN
DYNA BOLT & CHEMSET ALSO AVAILABLE

DEPARTMENT OF PLANNING, LANDS AND HERITAGE

DATE **30-Aug-2021** FILE **21-50661-1**

| | | |
|------|--|----------|
| D | ISSUED FOR APPROVAL | 17.05.11 |
| C | RIGID BASE AND KNEE BRACE OPTION ADDED | 31.07.09 |
| B | GENERALLY REVISED | 14.07.09 |
| A | ISSUED FOR CONSTRUCTION | 29.05.08 |
| REV. | AMENDMENT DESCRIPTION | DATE |

ECLIPSE CONSULTING ENGINEERS

ECLIPSE Consulting Engineers Pty Ltd
304/12 Century Circuit
Norwest Central
BAULKHAM HILLS NSW 2153

Phone : (02) 9894 8500
Fax : (02) 8850 0212
info@eclipse-consulting.com.au
www.eclipse-consulting.com.au

Stephen W Healey
BE(Hons) MIEAust CPEng
RBP(EC-2169) RPEQ(5546) ABP(VC4030P)



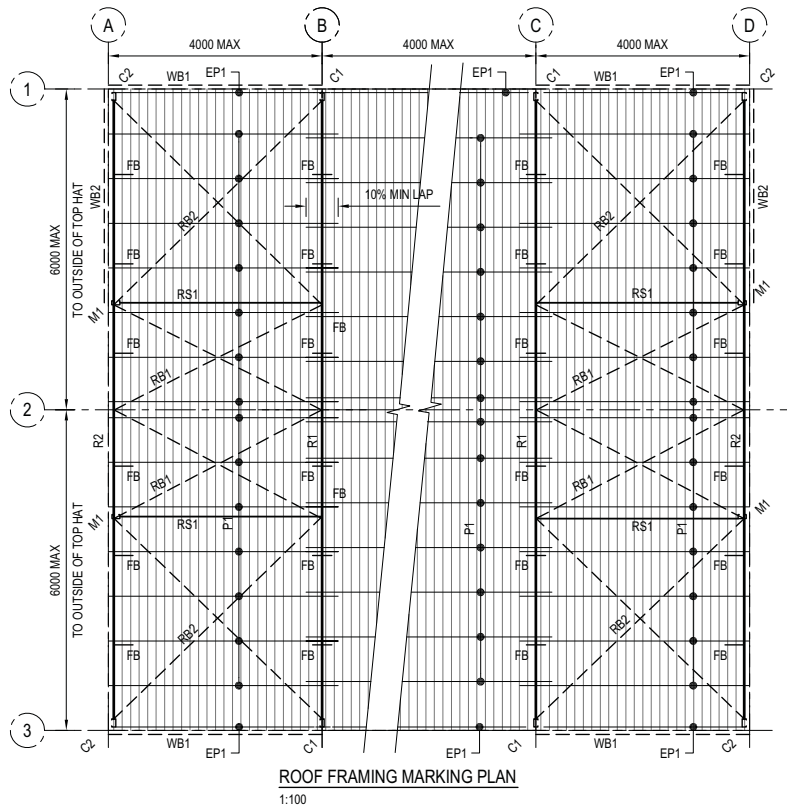
CLIENT:

FIELDERS Endurance STRUCTURES

PROJECT:
Old Young's Distillery
SITE ADDRESS:
10581C West Swan Road,
Henley Brook, WA
REF No. ASHLC47190

BUILDING TYPE:
12m SPAN PREMIER GABLE GARAGE
7.5° to 15° ROOF PITCH
3.0m, 3.5m, 4.0m Bays - FULLY ENCLOSED
Region A1-A7, TC2 & TC3, Imp 2
FOOTING DETAILS

| | |
|------------------------|---------------|
| DESIGN: SWH | SHEET No: 2 |
| DRAWN: N.M.D | No. IN SET: 6 |
| DATE: MAY 2011 | SCALE: 1:20 |
| DRG No. 4880 - S02 - D | |



| FRAME MEMBER SCHEDULE - FULLY ENCLOSED STRUCTURE - 3.0m, 3.5m, 4.0m BAYS | | | | | | | | | | | | | | |
|--|--------------|-------------|-------------------|----------------|----------------|----------------|----------------|------------------|-------------------|------------------|------------------|------------------|-----------|--------|
| MARK | ITEM | WALL HEIGHT | Region A1-A7, TC3 | | | | | | Region A1-A7, TC2 | | | | | |
| | | | 3.0m BAYS | | 3.5m BAYS | | 4.0m BAYS | | 3.0m BAYS | | 3.5m BAYS | | 4.0m BAYS | |
| | | | PINNED* | RIGID* | PINNED* | RIGID* | PINNED* | RIGID* | PINNED* | RIGID* | PINNED* | RIGID* | PINNED* | RIGID* |
| C1 | COLUMN | 3600 | C20024 | C15024 | C25024 | C15024 | C25024 | C20024 | C30024 | C25024 | C30024 | C20024 | C30024 | C20024 |
| | | 4800 | C25024 | C20019 | C30024 | C20024 | C30024 | C25024 | C30024 | C25024 | C30024 | C25024 | C30030 | C30024 |
| | | 6000 | C30024 | C25024 | C30024 | C25024 | C30024 | C25024 | C30030 | C30024 | C35030 | C30024 | C35030 | C30030 |
| C2 | COLUMN | 3600 | C15012 | C15012 | C15012 | C15012 | C15012 | C15012 | C15012 | C15012 | C15012 | C15012 | C15012 | C15012 |
| | | 4800 | C15012 | C15012 | C15012 | C15012 | C15012 | C15012 | C15012 | C15015 | C15015 | C15015 | C15015 | C15015 |
| | | 6000 | C15015 | C15015 | C15015 | C15015 | C15015 | C15015 | C15019 | C15019 | C15019 | C15019 | C15019 | C15019 |
| R1 | RAFTER | 3600 | C20024 | C15019 | C25024 | C15024 | C25024 | C15024 | C30024 | C20019 | C30024 | C20019 | C30030 | C20019 |
| | | 4800 | C25024 | C15019 | C30024 | C15024 | C30024 | C20019 | C30024 | C20019 | C30024 | C20019 | C30030 | C25024 |
| | | 6000 | C30024 | C20015 | C30024 | C20019 | C30024 | C20019 | C30030 | C25019 | C35030 | C25019 | C35030 | C25024 |
| R2 | RAFTER | 3600-6000 | C15012 | C15012 | C15012 | C15012 | C15012 | C15012 | C15012 | C15012 | C15012 | C15012 | C15012 | |
| KB | KNEE BRACE | 3600 - 6000 | - | Z15019 | - | Z15019 | - | Z15019 | - | Z15019 | - | Z15019 | - | |
| M1 | MULLION | 3600 | C15015 | C15015 | C15015 | C15015 | C15024 | C15024 | C15024 | C15024 | C15024 | C15024 | C15024 | |
| | | 4800 | C15024 | C15024 | C15024 | C15024 | C20024 | C20024 | C20024 | C20024 | C20024 | C20024 | C20024 | |
| | | 6000 | C20024 | C20024 | C20024 | C20024 | C25024 | C25024 | C25024 | C25024 | C25024 | C25024 | C25024 | |
| DM1 | MULLION | 3600 | Z15015 | Z15015 | Z15015 | Z15015 | Z15024 | Z15024 | Z15024 | Z15024 | Z15024 | Z15024 | Z15024 | |
| | | 4800 | Z15024 | Z15024 | Z15024 | Z15024 | Z15024 | Z15024 | Z15024 | Z15024 | Z15024 | Z15024 | Z15024 | |
| | | 6000 | + C15012 | + C15012 | + C15012 | + C15012 | + C15012 | + C15012 | + C15012 | + C15012 | + C15012 | + C15012 | + C15012 | |
| DH1 | DOOR HEADER | 3600 | C15012 | C15012 | C15012 | C15012 | C15012 | C15012 | C15012 | C15012 | C15012 | C15012 | C15012 | |
| | | 4800 | C15012 | C15012 | C15012 | C15012 | C15012 | C15012 | C15012 | C15012 | C15012 | C15012 | C15012 | |
| | | 6000 | C15012 | C15012 | C15012 | C15012 | C15012 | C15012 | C15012 | C15012 | C15012 | C15012 | C15012 | |
| RS1 | ROOF STRUT | 3600 - 6000 | C15012 | C15012 | C15015 | C15015 | C15012 | C15012 | C15012 | C15012 | C15012 | C15012 | | |
| EP1 | EAVES PURLIN | 3600 - 6000 | C15012 | C15015 | C15015 | C15015 | C15015 | C15015 | C15015 | C15015 | C15015 | C15015 | | |
| RB1 | ROOF BRACING | 3600 - 6000 | 52 x 1.6 STRAP | 52 x 1.6 STRAP | 52 x 1.6 STRAP | 52 x 1.6 STRAP | 12 Rod | 2-32 x 1.6 STRAP | 2-32 x 1.6 STRAP | 2-32 x 1.6 STRAP | 2-32 x 1.6 STRAP | 2-32 x 1.6 STRAP | | |
| RB2 | ROOF BRACING | 3600 - 6000 | 52 x 1.6 STRAP | 52 x 1.6 STRAP | 52 x 1.6 STRAP | 52 x 1.6 STRAP | 12 Rod | 2-32 x 1.6 STRAP | 2-32 x 1.6 STRAP | 2-32 x 1.6 STRAP | 2-32 x 1.6 STRAP | 2-32 x 1.6 STRAP | | |
| WB1 | WALL BRACING | 3600 - 6000 | 52 x 1.6 STRAP | 52 x 1.6 STRAP | 52 x 1.6 STRAP | 52 x 1.6 STRAP | 12 Rod | 2-32 x 1.6 STRAP | 2-32 x 1.6 STRAP | 2-32 x 1.6 STRAP | 2-32 x 1.6 STRAP | 2-32 x 1.6 STRAP | | |
| WB2 | WALL BRACING | 3600 - 6000 | 32 x 1.2 STRAP | 32 x 1.2 STRAP | 32 x 1.2 STRAP | 32 x 1.2 STRAP | 32 x 1.2 STRAP | 32 x 1.2 STRAP | 32 x 1.2 STRAP | 32 x 1.2 STRAP | 32 x 1.2 STRAP | 32 x 1.2 STRAP | | |

* PINNED BASE HAS NO KNEE BRACE.
 * RIGID BASE HAS KNEE BRACE FOR WALL HEIGHTS OF 3.6m AND ABOVE. SEE SHEET 6.

DEPARTMENT OF PLANNING, LANDS AND HERITAGE

DATE: 30-Aug-2021 FILE: 21-50661-1

| | | |
|------|--|----------|
| D | ISSUED FOR APPROVAL | 17.05.11 |
| C | RIGID BASE AND KNEE BRACE OPTION ADDED | 31.07.09 |
| B | GENERALLY REVISED | 14.07.09 |
| A | ISSUED FOR CONSTRUCTION | 29.05.08 |
| REV. | AMENDMENT DESCRIPTION | DATE |

ECLIPSE CONSULTING ENGINEERS

ECLIPSE Consulting Engineers Pty Ltd
 304/12 Century Circuit
 Norwest Central
 BAULKHAM HILLS NSW 2153

Phone: (02) 9894 8500
 Fax: (02) 8850 0212
 info@eclipse-consulting.com.au
 www.eclipse-consulting.com.au

Stephen W Healey
 BE(Hons) MIE Aust CPEng
 RBP(EE-2169) RPEQ(5546) ABP(VC4030P)



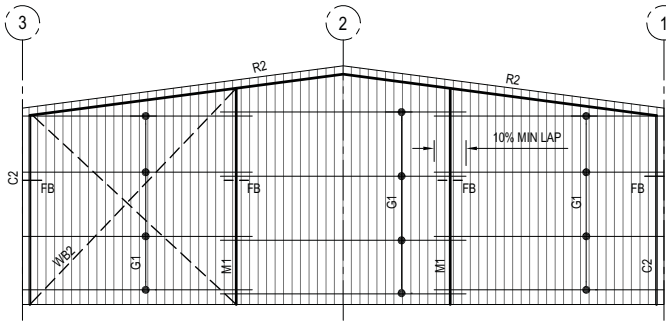
CLIENT: **FIELDERS Endurance STRUCTURES**

PROJECT: Old Young's Distillery
 SITE ADDRESS: 10581C West Swan Road, Henley Brook, WA
 REF No. ASHLC47190

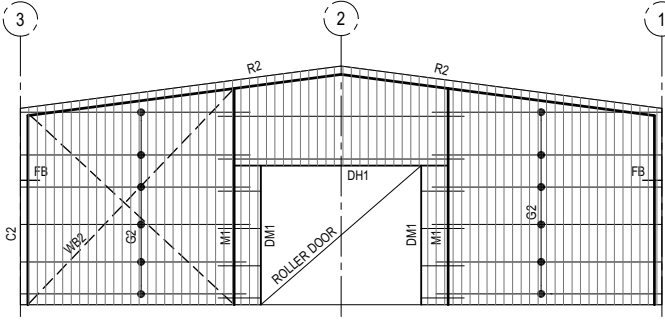
BUILDING TYPE: 12m SPAN PREMIER GABLE GARAGE
 7.5° to 15° ROOF PITCH
 3.0m, 3.5m, 4.0m Bays - FULLY ENCLOSED
 Region A1-A7, TC2 & TC3, Imp 2

DESIGN: SWH SHEET No: 3
 DRAWN: N.M.D No. IN SET: 6
 DATE: MAY 2011 SCALE: 1:100
 DRG No. 4880 - S03 - D

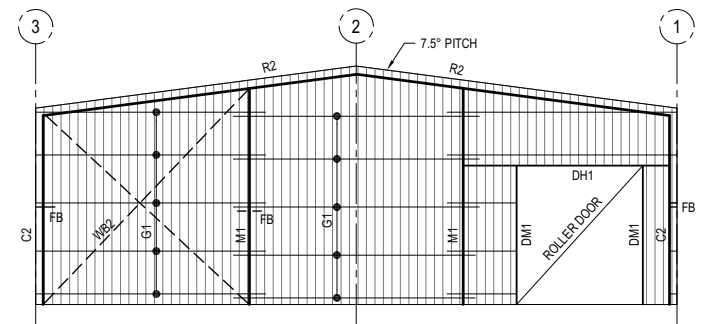
A3 ORIGINAL SIZE



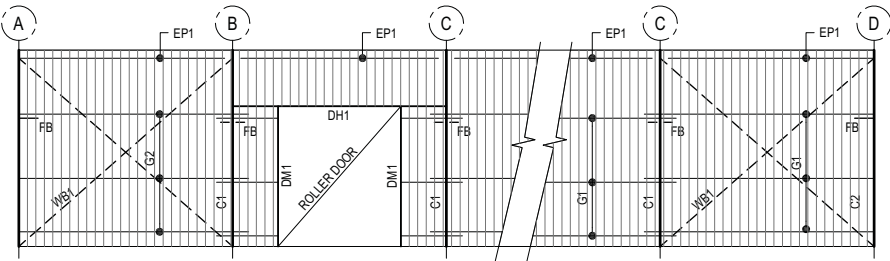
REAR ELEVATION - NO DOORS
1:100



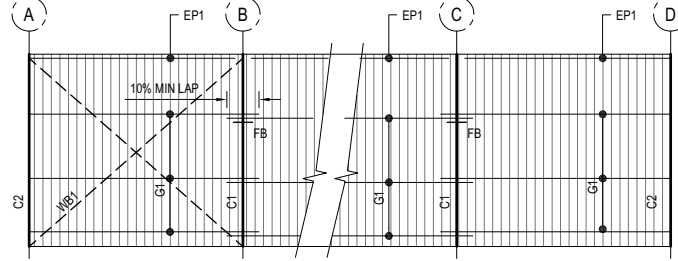
ELEVATION - WITH CENTRAL DOOR
1:100



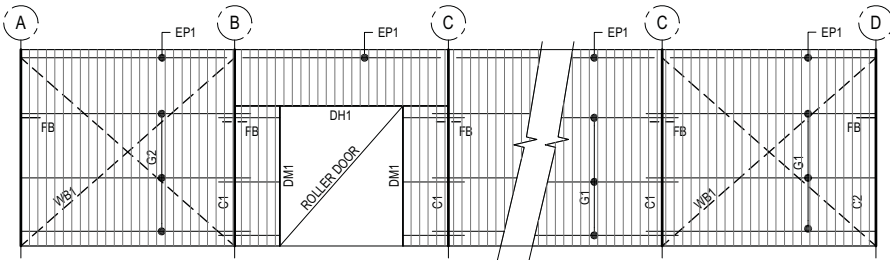
ELEVATION - WITH DOOR
1:100



SIDE ELEVATION - WITH DOOR IN INTERNAL BAY
1:100



SIDE ELEVATION - NO DOORS
1:100



SIDE ELEVATION - WITH DOOR IN INTERNAL BAY
1:100

SHEETING SCHEDULE - FULLY ENCLOSED STRUCTURE,
MAXIMUM PURLIN & GIRT SPACING

| POSITION | SHEETING TYPE | SPAN | Region A, TC3 | Region A, TC2 | |
|-------------|----------------|-----------------|---------------|---------------|------|
| | | | | | |
| ROOF | 0.42 BMT S-RIB | END | 900 | 900 | |
| | | INTERNAL | 1200 | 1200 | |
| | 0.42 BMT TL-5 | END | 1300 | 1300 | |
| | | INTERNAL | 1900 | 1900 | |
| | WALL | 0.35 BMT S-RIB | END | 2110 | 1790 |
| | | | INTERNAL | 2400 | 2240 |
| SINGLE SPAN | | | 1860 | 1610 | |
| | | 0.35 BMT TL-5 | END | 2630 | 2340 |
| | | INTERNAL | 3000 | 2720 | |
| SINGLE SPAN | | 0.35 BMT LO-RIB | END | 1460 | 1150 |
| | | INTERNAL | 1760 | 1610 | |
| | | SINGLE SPAN | 1190 | 1010 | |

PURLIN AND GIRT SCHEDULE - FULLY ENCLOSED STRUCTURE

| MARK | ITEM | SPAN (mm) | MAXIMUM TOPHAT SPACINGS (mm) - 1.9mm MIN. INTERNAL FRAME MEMBER THICKNESS, 1.2mm MIN. END FRAME MEMBER THICKNESS | | | |
|------|--------------------------------------|-----------|--|----------|-------------------|----------|
| | | | Region A1-A7, TC3 | | Region A1-A7, TC2 | |
| | | | TH64.075 | TH64.100 | TH64.075 | TH64.100 |
| P1 | PURLIN - 10% LAP MIN, 15° ROOF PITCH | ≤3000 | 1440 | 1900 | 970 | 1310 |
| | | ≤3250 | 1325 | 1760 | 890 | 1200 |
| | | ≤3500 | 1210 | 1620 | 810 | 1090 |
| | | ≤3750 | 1075 | 1395 | 720 | 940 |
| | | ≤4000 | 940 | 1170 | 630 | 790 |
| G1 | GIRT - 10% LAP MIN. | ≤3000 | 1840 | 2480 | 1240 | 1670 |
| | | ≤3250 | 1690 | 2270 | 1135 | 1530 |
| | | ≤3500 | 1540 | 2060 | 1030 | 1390 |
| | | ≤3750 | 1365 | 1775 | 915 | 1195 |
| | | ≤4000 | 1190 | 1490 | 800 | 1000 |
| G2 | SINGLE SPAN GIRT | ≤3000 | 1180 | 1730 | 750 | 1110 |
| | | ≤3250 | 1000 | 1460 | 640 | 940 |
| | | ≤3500 | 870 | 1270 | 550 | 810 |
| | | ≤3750 | 750 | 1100 | 480 | 710 |
| | | ≤4000 | n/a | 970 | n/a | 620 |

DEPARTMENT OF PLANNING, LANDS AND HERITAGE

DATE: 30-Aug-2021 FILE: 21-50661-1

| REV. | AMENDMENT DESCRIPTION | DATE |
|------|--|----------|
| D | ISSUED FOR APPROVAL | 17.05.11 |
| C | RIGID BASE AND KNEE BRACE OPTION ADDED | 31.07.09 |
| B | GENERALLY REVISED | 14.07.09 |
| A | ISSUED FOR CONSTRUCTION | 29.05.08 |

ECLIPSE CONSULTING ENGINEERS
 Eclipse Consulting Engineers Pty Ltd
 30/412 Century Circuit
 Norwest Central
 BAULKHAM HILLS NSW 2153
 Phone: (02) 9894 8500
 Fax: (02) 8850 0212
 info@eclipse-consulting.com.au
 www.eclipse-consulting.com.au
 Stephen W Healey
 BE(Hons) MIEAust CPEng
 RBP(EC-2169) RPEQ(5546) ABPC(C4030P)



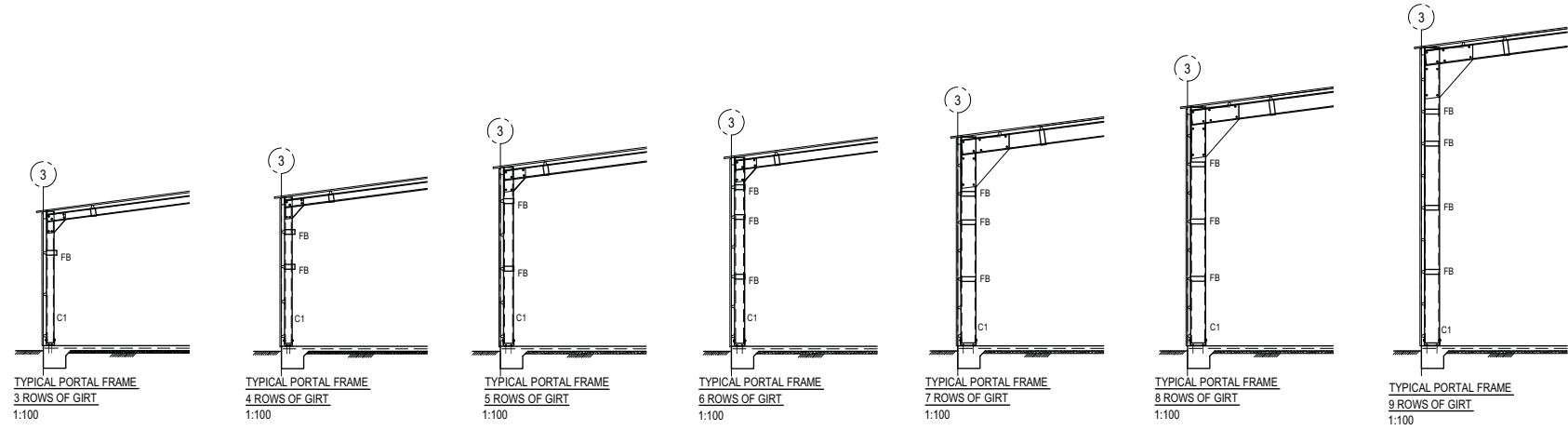
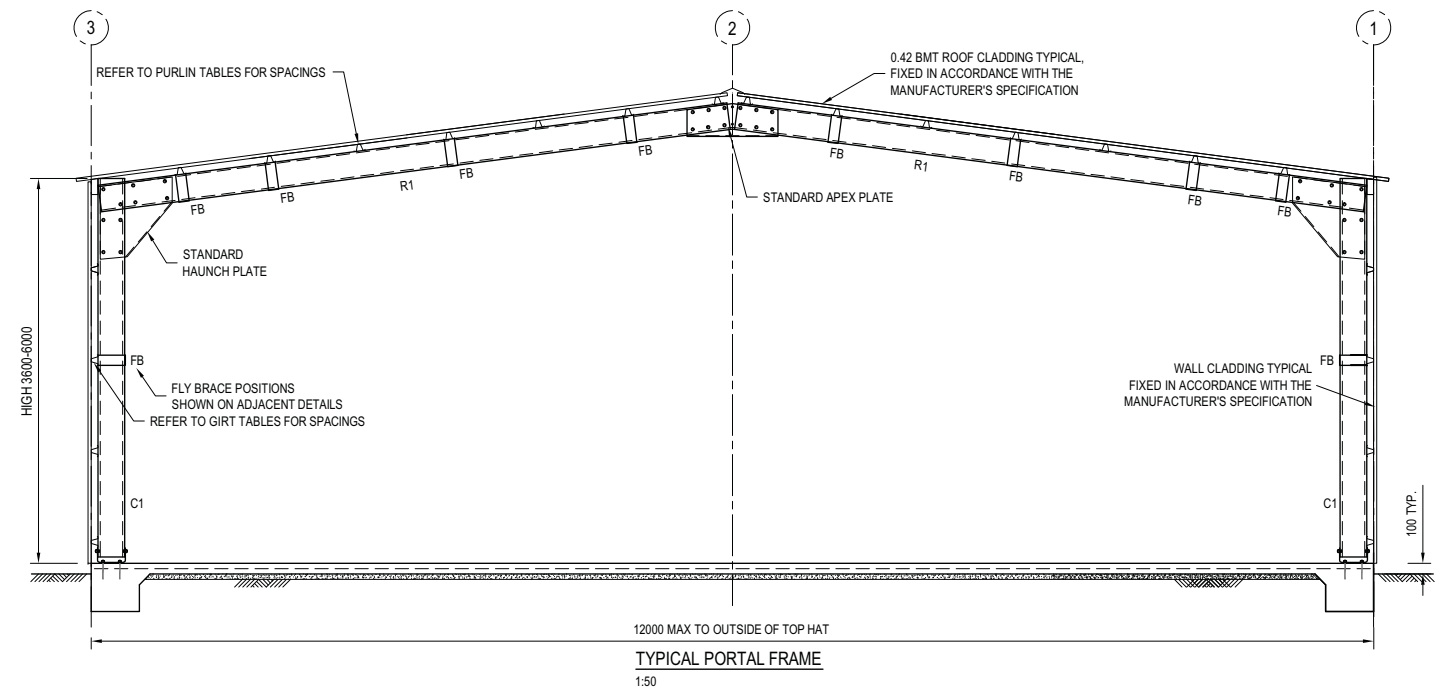
CLIENT: **FIELDERS Endurance STRUCTURES**

PROJECT: Old Young's Distillery
 SITE ADDRESS: 10581C West Swan Road, Henley Brook, WA
 REF No. ASHLC47190

BUILDING TYPE: 12m SPAN PREMIER GABLE GARAGE
 7.5° to 15° ROOF PITCH
 3.0m, 3.5m, 4.0m Bays - FULLY ENCLOSED
 Region A1-A7, TC2 & TC3, Imp 2

| | |
|------------------------|---------------|
| DESIGN: SWH | SHEET No: 4 |
| DRAWN: N.M.D | No. IN SET: 6 |
| DATE: MAY 2011 | SCALE: 1:100 |
| DRG No. 4880 - S04 - D | |

A3 ORIGINAL SIZE



NOTE : PINNED BASE HAS NO KNEE BRACE.

| | | |
|------|--|----------|
| D | ISSUED FOR APPROVAL | 17.05.11 |
| C | RIGID BASE AND KNEE BRACE OPTION ADDED | 31.07.09 |
| B | GENERALLY REVISED | 14.07.09 |
| A | ISSUED FOR CONSTRUCTION | 29.05.08 |
| REV. | AMENDMENT DESCRIPTION | DATE |

ECLIPSE CONSULTING ENGINEERS
 Eclipse Consulting Engineers Pty Ltd
 304/12 Century Circuit
 Norwest Central
 BAULKHAM HILLS NSW 2153
 Phone : (02) 9894 8500
 Fax : (02) 8850 0212
 info@eclipse-consulting.com.au
 www.eclipse-consulting.com.au
 Stephen W Healey
 BE(Hons) MIEAust CPEng
 RBP(EC-2189) RPEQ(5546) ABP(CC4030P)



CLIENT:
FIELDERS Endurance STRUCTURES

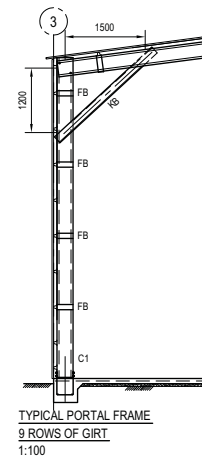
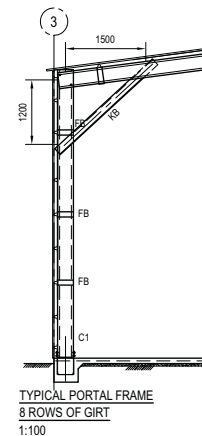
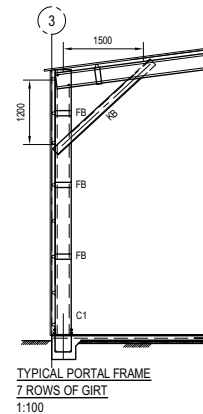
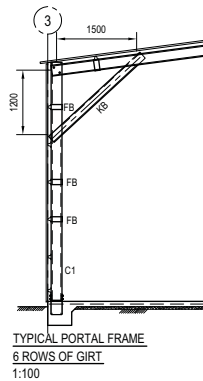
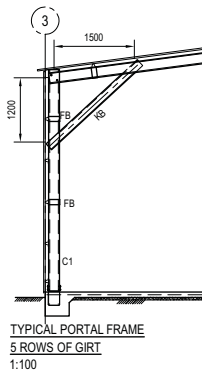
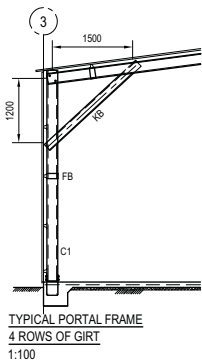
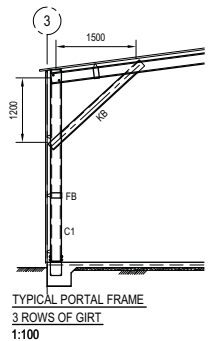
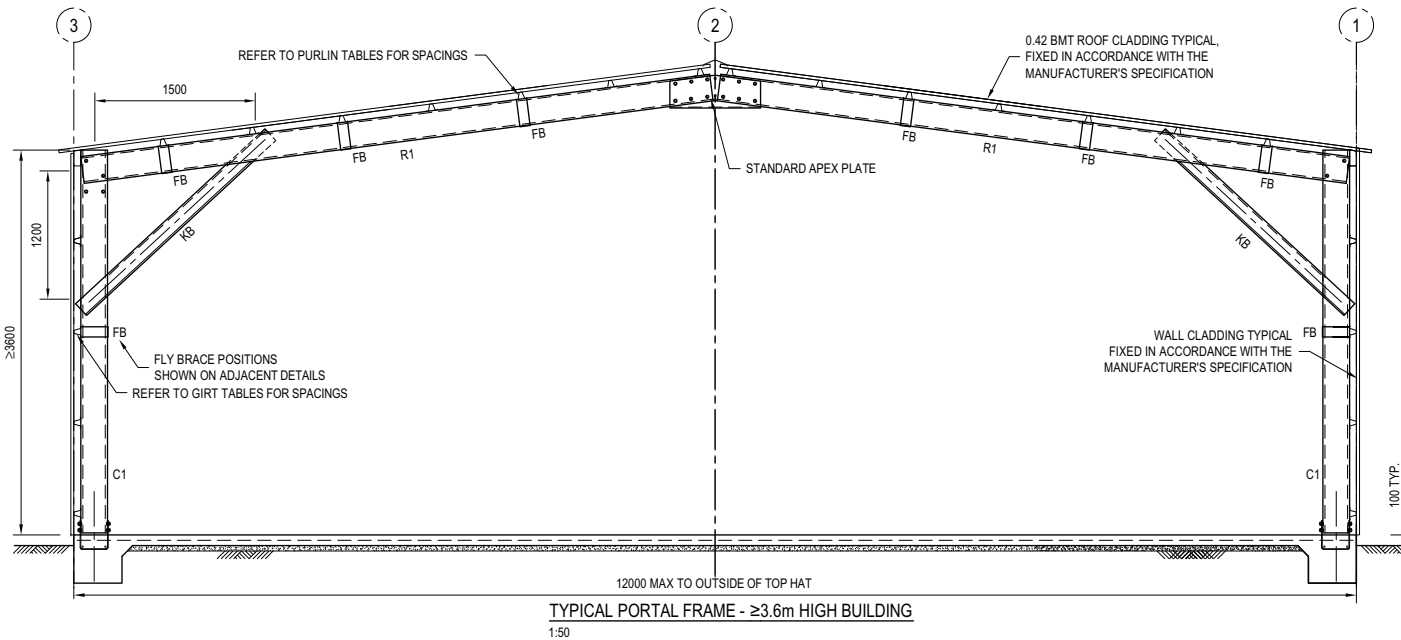
PROJECT:
 Old Young's Distillery
 SITE ADDRESS:
 10581C West Swan Road,
 Henley Brook, WA
 REF No. ASHLC47190

BUILDING TYPE:
 12m SPAN PREMIER GABLE GARAGE
 7.5° to 15° ROOF PITCH
 3.0m, 3.5m, 4.0m Bays - FULLY ENCLOSED
 Region A1-A7, TC2 & TC3, Imp 2
 PORTAL SECTIONS-PINNED BASE

| | |
|------------------------|--------------------|
| DESIGN: SWH | SHEET No: 5 |
| DRAWN: N.M.D | No. IN SET: 6 |
| DATE: MAY 2011 | SCALE: 1:50, 1:100 |
| DRG No. 4880 - S05 - D | |

A3 ORIGINAL SIZE

DEPARTMENT OF PLANNING, LANDS AND HERITAGE
 DATE 30-Aug-2021 FILE 21-50661-1



RIGID BASE.

| | | |
|------|--|----------|
| D | ISSUED FOR APPROVAL | 17.05.11 |
| C | RIGID BASE AND KNEE BRACE OPTION ADDED | 31.07.09 |
| B | GENERALLY REVISED | 14.07.09 |
| A | ISSUED FOR CONSTRUCTION | 29.05.08 |
| REV. | AMENDMENT DESCRIPTION | DATE |

ECLIPSE CONSULTING ENGINEERS

ECLIPSE Consulting Engineers Pty Ltd
 304/12 Century Circuit
 Norwest Central
 BAULKHAM HILLS NSW 2153

Phone : (02) 9894 8500
 Fax : (02) 8850 0212
 info@eclipse-consulting.com.au
 www.eclipse-consulting.com.au

Stephen W Healey
 BE(Hons) MIEAust CPEng
 RBP(EC-2189) RPEQ(5546) ABP(CC4030P)



CLIENT:

FIELDERS Endurance STRUCTURES

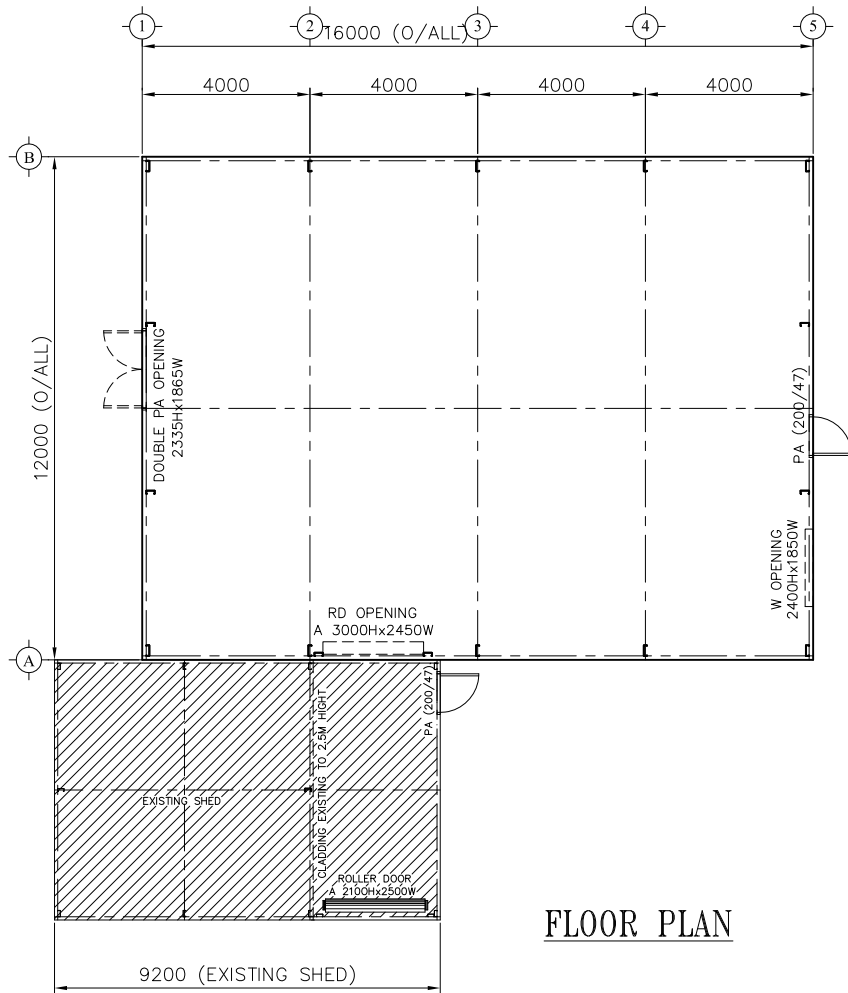
PROJECT:
 Old Young's Distillery
 SITE ADDRESS:
 10581C West Swan Road,
 Henley Brook, WA
 REF No. ASHLC47190

BUILDING TYPE:
 12m SPAN PREMIER GABLE GARAGE
 7.5° to 15° ROOF PITCH
 3.0m, 3.5m, 4.0m Bays - FULLY ENCLOSED
 Region A1-A7, TC2 & TC3, Imp 2

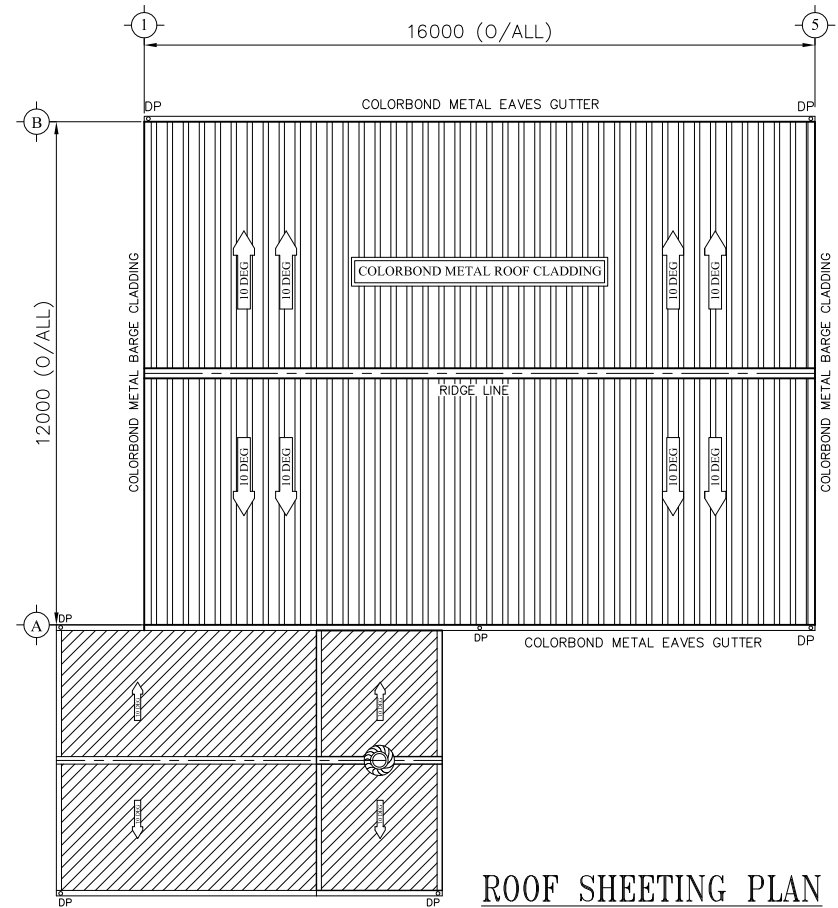
PORTAL SECTIONS-RIGID BASE

| | |
|------------------------|--------------------|
| DESIGN: SWH | SHEET No: 6 |
| DRAWN: N.M.D | No. IN SET: 6 |
| DATE: MAY 2011 | SCALE: 1:50, 1:100 |
| DRG No. 4880 - S06 - D | |

A3 ORIGINAL SIZE



FLOOR PLAN



ROOF SHEETING PLAN

| | | | | |
|-----------------------|-----|------|----|-------------|
| APPROVED BY CUSTOMER: | | | | |
| SIGNATURE : | | | | |
| DATE : | NO. | DATE | BY | DESCRIPTION |
| REVISIONS | | | | |



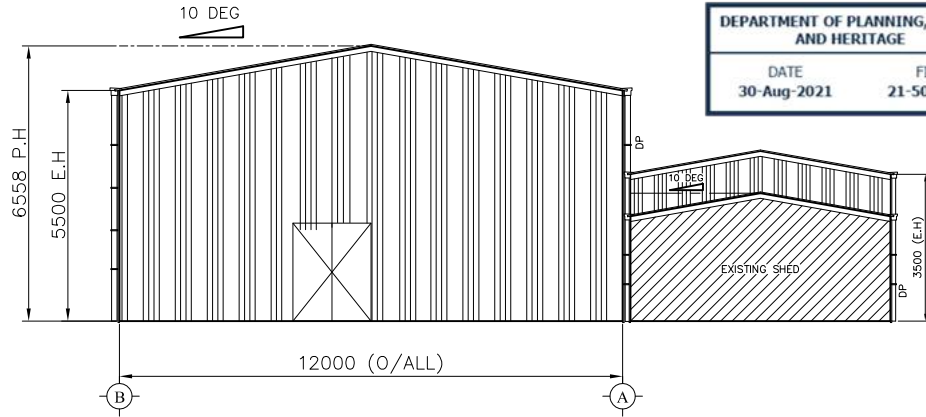
Unit 1/55 Ercege Road
Yangebup WA 6164
Ph: 1300 778 628
Fx: 086555 8043
E: sale@actionsheds.com.au
W: www.actionsheds.com.au

PROJECT:
Australian Distilling

SITE ADDRESS:
10581C West Swan R Henley Brook, WA 6055

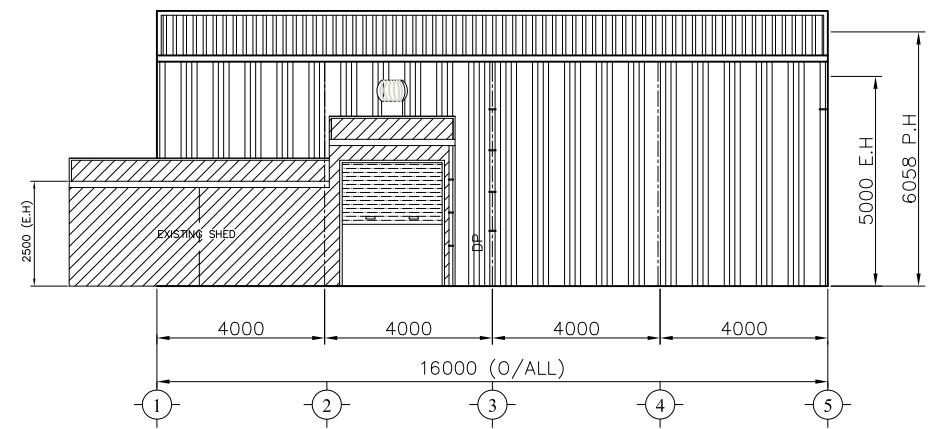
| | | | |
|---------------------------------|-----------------|-------------|------|
| TITLE: FLOOR PLAN | | | |
| FOR A SHED 12.0M x 16.0M x 5.5M | | | |
| RBPC CERTIFICATION: | | DRAWING NO. | REV. |
| DESIGNED: AK | SCALE: NTS | 01 | A |
| DRAWN: THAM | JOB NO: | | |
| CHECKED: MT | DATE: 31 MAR 21 | | |

A3

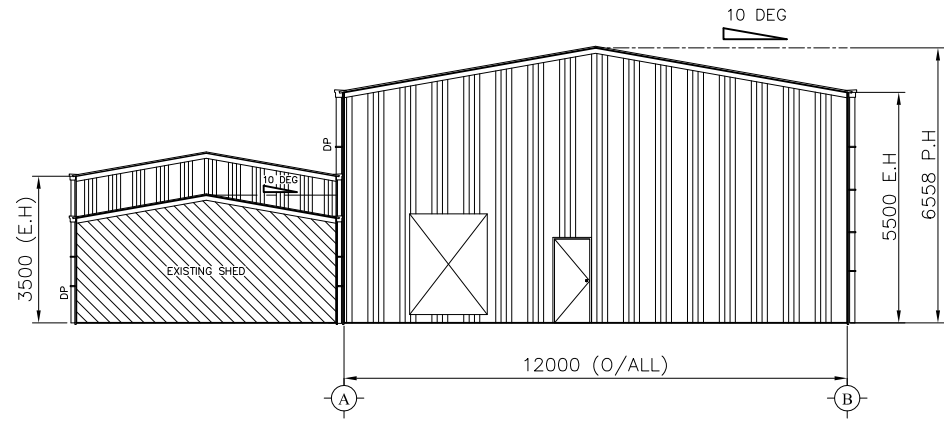


LEFT ELEVATION

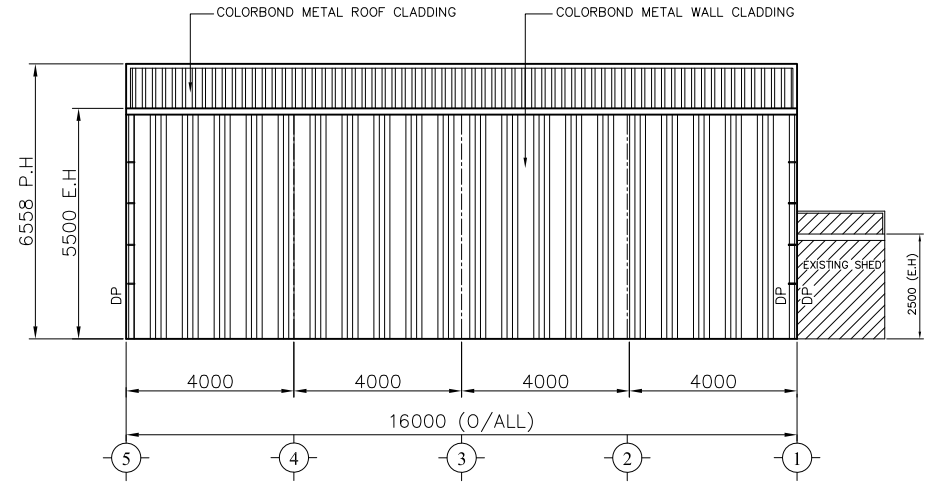
DEPARTMENT OF PLANNING, LANDS AND HERITAGE
 DATE 30-Aug-2021 FILE 21-50661-1



FRONT ELEVATION



RIGHT ELEVATION



BACK ELEVATION

| | | | | |
|-----------------------|-----|------|----|-------------|
| APPROVED BY CUSTOMER: | | | | |
| SIGNATURE : | | | | |
| DATE : | NO. | DATE | BY | DESCRIPTION |
| REVISIONS | | | | |



Unit 1/55 Erceg Road
 Yangebup WA 6164
 Ph: 1300 778 628
 Fx: 086555 8043
 E: sale@actionsheds.com.au
 W: www.actionsheds.com.au

PROJECT:
Australian Distilling
 SITE ADDRESS:
 10581C West Swan R Henley Brook, WA 6055

| | | | |
|---|-----------------|-------------|------|
| TITLE: ELEVATION FOR A SHED 12.0M x 16.0M x 5.5M | | | |
| RBP CERTIFICATION: | | DRAWING NO. | REV. |
| DESIGNED: AK | SCALE: NTS | 02 | A |
| DRAWN: THAM | JOB NO: | | |
| CHECKED: MT | DATE: 31 MAR 21 | | |